

# QK series

## QK 1 TWEETER

Gttrading保留对所示产品进行修改或改进的权利，恕不另行通知 - 所示产品的可用性可能会有所更改 - 本用户指南中描述的产品仅代表可用STEG产品的一部分 - 提及的所有品牌和商标 仅用于描述目的，所有权利归属于所有者 - 禁止全部或部分复制本用户指南。

G.T.trading reserves the right to make modifications or improvements to the products illustrated without notice thereof-The availability of the products illustrated is subject to change-The products described in this User's Guide represent just a part of the STEG products available-All brands and trademarks mentioned have been used exclusively for description purposes and all rights belong to the respective owners-Total or partial reproduction of this User's Guide

product concept  
engineering  
production  
distribution

**GTtrading**  
CAR & HOME AUDIO HI-FI EQUIPMENT

ITALY  
[www.gt-trading.it](http://www.gt-trading.it)  
[info@gt-trading.it](mailto:info@gt-trading.it)



用户指南  
QK 喇叭系列

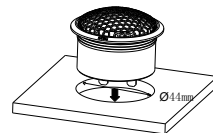
USER'S GUIDE  
Performance Speaker Series

## 主要特点：

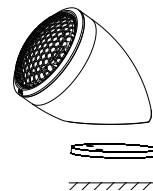
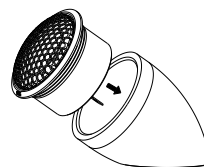
- 高精度涂层德国蚕丝音膜
- 高性能钕铁硼磁石
- 一体式CNC精加工铝后壳
- 多用途的安装方式
- 28mm耐温铝音圈
- 指向性优秀的铁网

## QK 1 安装方式：

Tweeter mounting 1



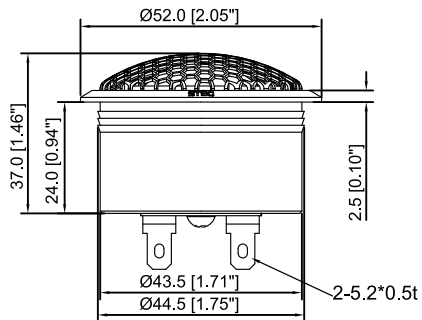
Tweeter mounting 2



- ▶ 长时间在大音量下聆听音乐可能会损害您的听觉，并影响您的驾驶安全。
- ▶ Listening to high sound pressure levels over a prolonged period of time may harm your hearing.

## QK 1 技术参数：

阻抗 ( $\Omega$ )	4 $\Omega$
频率响应 (Hz)	750-20K Hz
持续功率 (W)	25 W
灵敏度 (2.83V/1M)	91 dB
Qms	1.371
Qes	2.353
Qts	0.866
磁路类型	钕铁硼
安装直径 (mm)	44
安装深度 (mm)	33

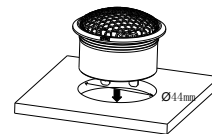


## Key Features :

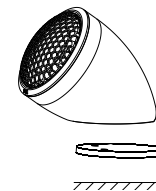
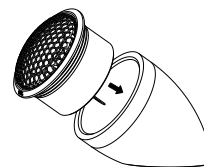
- Precision-coated textile diaphragm
- One piece die cast housing and face plated
- 1.1 inch aluminum former voice coil
- High grade Neodymium magnet
- Alternative installation options
- Sound penetrable protective grill

## QK 1 Installation :

Tweeter mounting 1

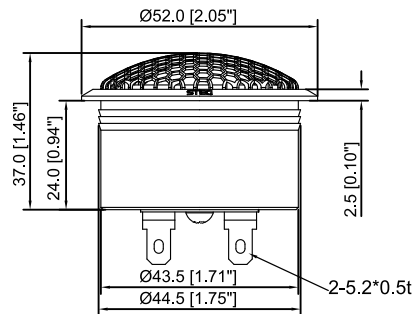


Tweeter mounting 2



## QK 1 Technical Parameters :

Impedance ( $\Omega$ )	4 $\Omega$
Frequency Response ( Hz )	750-20K Hz
Rated Power ( W )	25 W
Sensitivity (2.83V/1M)	91 dB
Qms	1.371
Qes	2.353
Qts	0.866
Magnet	Neodymium
Mounting Diameter	44
Mounting Depth	33



► 感谢您的查阅！

► Welcome to consult!