

QK series

QK 3 MIDRANGE

Gttrading保留对所示产品进行修改或改进的权利，恕不另行通知 - 所示产品的可用性可能会有所更改 - 本用户指南中描述的产品仅代表可用STEG产品的一部分 - 提及的所有品牌和商标 仅用于描述目的，所有权利归属于所有者 - 禁止全部或部分复制本用户指南。

G.T.trading reserves the right to make modifications or improvements to the products illustrated without notice thereof-The availability of the products illustrated is subject to change-The products described in this User's Guide represent just a part of the STEG products available-All brands and trademarks mentioned have been used exclusively for description purposes and all rights belong to the respective owners-Total or partial reproduction of this User's Guide

用户指南

QK 喇叭系列

USER'S GUIDE
Performance Speaker Series



product concept
engineering
production
distribution

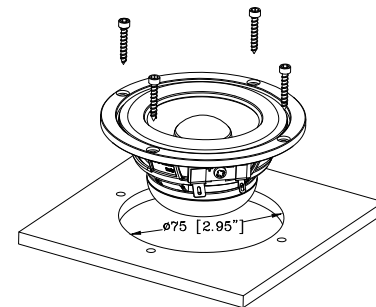
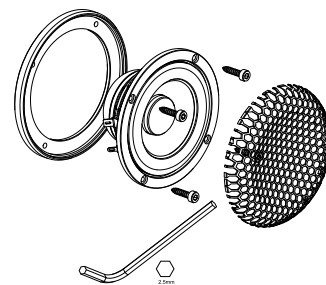
GTtrading
CAR & HOME AUDIO HI-FI EQUIPMENT

ITALY
www.gt-trading.it
info@gt-trading.it

主要特点：

- 透气铝压铸盆架
- 高性能钕铁硼外磁
- CNC精加工T铁
- 25.5 mm 打孔耐温音圈
- 高灵敏度 87dB @ 2.83V
- 高表现纸音盆

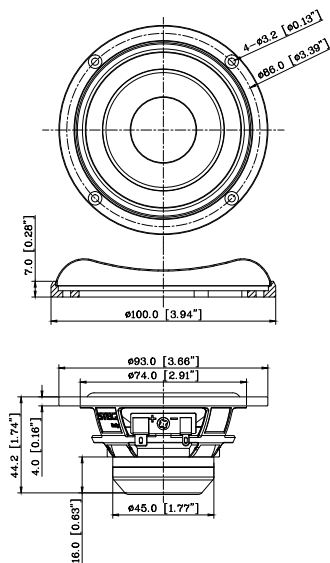
安装方式：



- ▶ 长时间在大音量下聆听音乐可能会损害您的听觉，并影响您的驾驶安全。
- ▶ Listening to high sound pressure levels over a prolonged period of time may harm your hearing.

QK 3 技术参数：

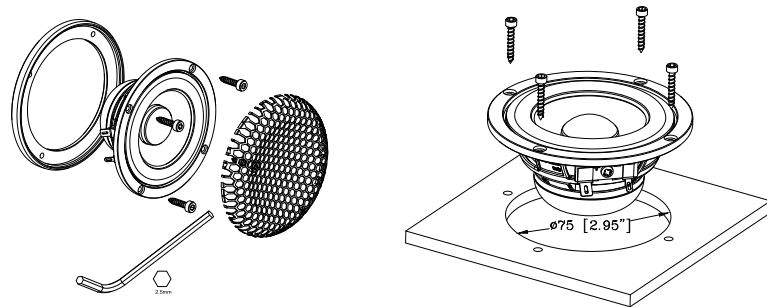
阻抗 (Ω)	4 Ω
频率响应 (Hz)	130-15K Hz
持续功率 (W)	30 W
灵敏度 (2.83V/1M)	87 dB
Qms	3.665
Qes	0.859
Qts	0.696
Mms (g)	3.317
Vas (Ltr)	0.623
磁路类型	钕铁硼
安装直径 (mm)	75
安装深度 (mm)	43



Key Features :

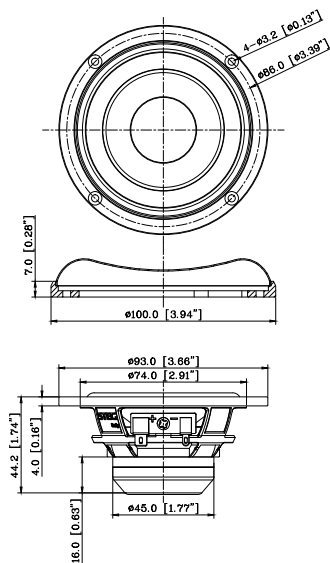
- Vented die cast aluminum chassis
- High grade Neodymium magnet
- CNC finishing motor metal parts
- 1 inch higher efficiency voice coil
- High output SPL 87dB @ 2.83V
- Performance paper cone

QK 3 Installation :



QK 3 Technical Parameters :

Impedance (Ω)	4 Ω
Frequency Response (Hz)	130-15K Hz
Rated Power (W)	30 W
Sensitivity (2.83V/1M)	87 dB
Qms	3.665
Qes	0.859
Qts	0.696
Mms (g)	3.317
Vas (Ltr)	0.623
Magnet	Neodymium
Mounting Diameter	75
Mounting Depth	43



► 感谢您的查阅！

► Welcome to consult!