

Q

COMPONENT SPEAKERS

Q 65C

Gttrading保留对所示产品进行修改或改进的权利，恕不另行通知 - 所示产品的可用性可能会有所更改 - 本用户指南中描述的产品仅代表可用STEG产品的一部分 - 提及的所有品牌和商标 仅用于描述目的，所有权利归属于所有者 - 禁止全部或部分复制本用户指南。

G.T.trading reserves the right to make modifications or improvements to the products illustrated without notice thereof-The availability of the products illustrated is subject to change-The products described in this User's Guide represent just a part of the STEG products available-All brands and trademarks mentioned have been used exclusively for description purposes and all rights belong to the respective owners-Total or partial reproduction of this User's Guide

product concept
engineering
production
distribution

GTtrading
CAR & HOME AUDIO HI-FI EQUIPMENT

ITALY
www.gt-trading.it
info@gt-trading.it

用户指南

6.5寸套装喇叭

USER'S GUIDE

6.5 inch component speakers

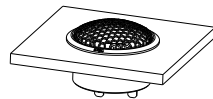
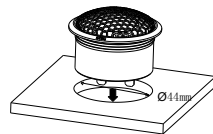


高音主要特点：

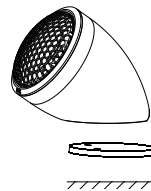
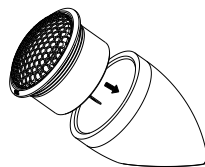
- 高精度涂层德国蚕丝音膜
- 高性能钕铁硼磁石
- 一体式CNC精加工铝后壳
- 多用途的安装方式
- 28mm耐温铝音圈
- 指向性优秀的铁网

高音安装方式：

Tweeter mounting 1



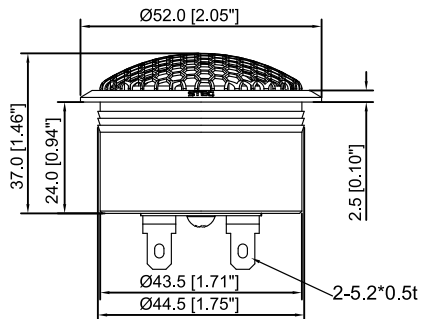
Tweeter mounting 2



- ▶ 长时间在大音量下聆听音乐可能会损害您的听觉，并影响您的驾驶安全。
- ▶ Listening to high sound pressure levels over a prolonged period of time may harm your hearing.

高音技术参数：

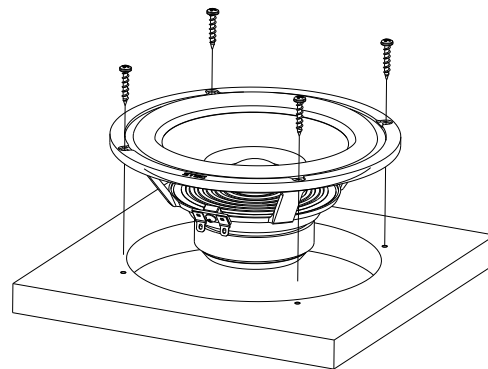
阻抗 (Ω)	4 Ω
频率响应 (Hz)	750-20K Hz
持续功率 (W)	25 W
灵敏度 (2.83V/1M)	91 dB
Qms	1.371
Qes	2.353
Qts	0.866
磁路类型	钕铁硼
安装直径 (mm)	44
安装深度 (mm)	33



低音主要特点：

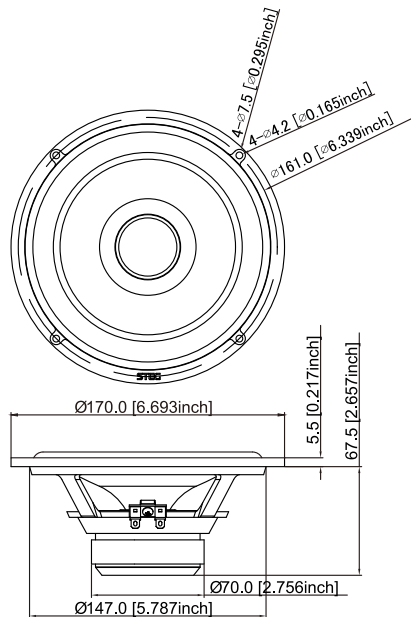
- 25.5 mm 耐温音圈
- 透气铝压铸盆架
- 高性能铁氧体外磁
- 高灵敏度 89dB @ 2.83V
- 高表现玻纤音盆
- 低阻尼橡胶边

低音安装方式：



低音技术参数：

阻抗 (Ω)	4 Ω
频率响应 (Hz)	50-7K Hz
持续功率 (W)	40 W
灵敏度 (2.83V/1M)	89 dB
Qms	4.297
Qes	0.714
Qts	0.612
Mms(g)	6.326
Vas (Ltr)	64.956
磁路类型	铁氧体
安装直径 (mm)	148
安装深度 (mm)	70

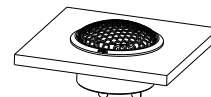
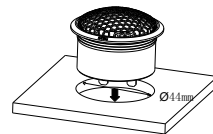


Tweeter Key Features :

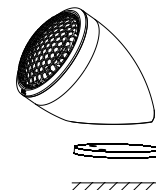
- Precision-coated textile diaphragm
- One piece die cast housing and face plated
- 1.1 inch aluminum former voice coil
- High grade Neodymium magnet
- Alternative installation options
- Sound penetrable protective grill

Tweeter Installation :

Tweeter mounting 1

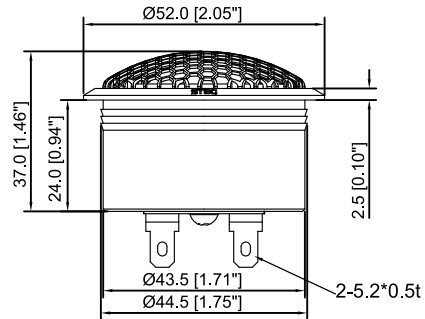


Tweeter mounting 2



Tweeter Technical Parameters :

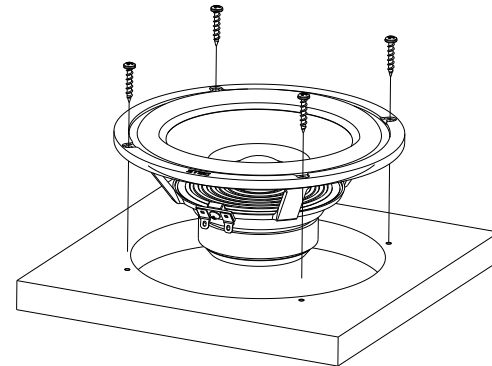
Impedance (Ω)	4 Ω
Frequency Response (Hz)	750-20K Hz
Rated Power (W)	25 W
Sensitivity (2.83V/1M)	91 dB
Qms	1.371
Qes	2.353
Qts	0.866
Magnet	Neodymium
Mounting Diameter	44
Mounting Depth	33



Woofer Key Features :

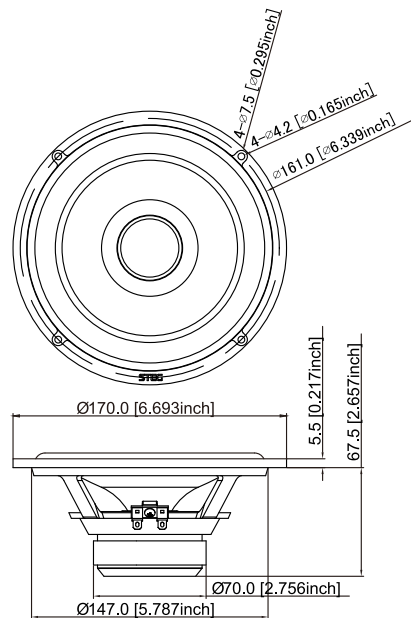
- 25.5 mm high temperature voice coil
- Vented die cast aluminum chassis
- High grade Ferrite magnet
- High output SPL 89dB @ 2.83V
- Performance glass fiber cone
- Low damping rubber surround

Woofer Installation :



Woofer Technical Parameters :

Impedance (Ω)	4 Ω
Frequency Response (Hz)	50-7K Hz
Rated Power (W)	40 W
Sensitivity (2.83V/1M)	89 dB
Qms	4.297
Qes	0.714
Qts	0.612
Mms (g)	6.326
Vas (Ltr)	64.956
Magnet	铁氧体
Mounting Diameter (mm)	148
Mounting Depth (mm)	70



► 感谢您的查阅！

► Welcome to consult!